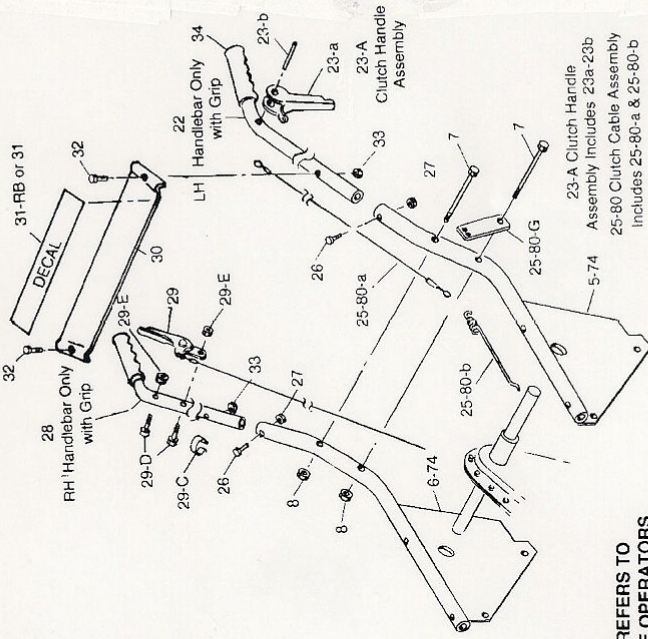


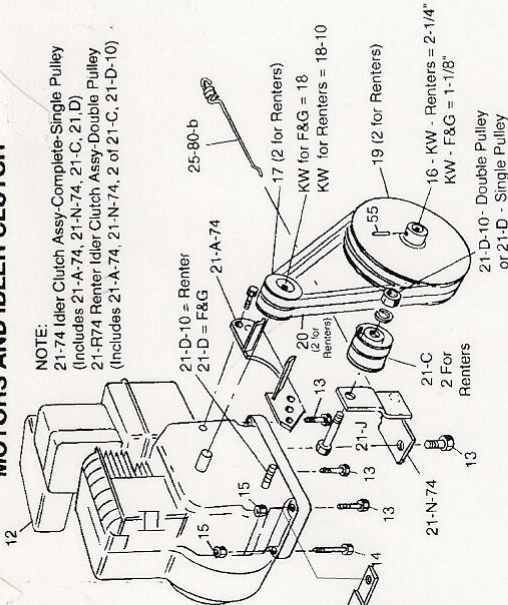


F&G and RENTER TILLERS

HANDLEBARS

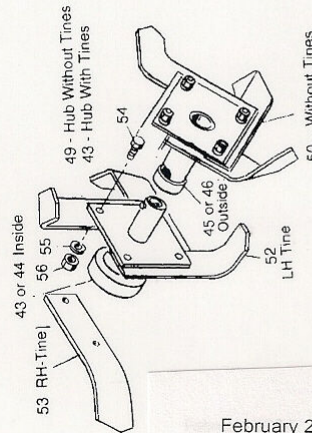
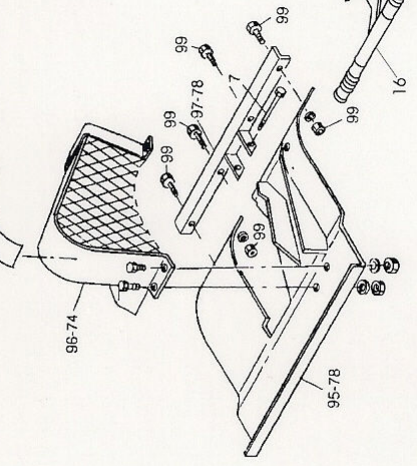


MOTORS AND IDLER CLUTCH



NOTE:
LEFT HAND AND RIGHT HAND REFERS TO
PARTS WHEN VIEWED FROM THE OPERATORS
POSITION BEHIND THE TILLER

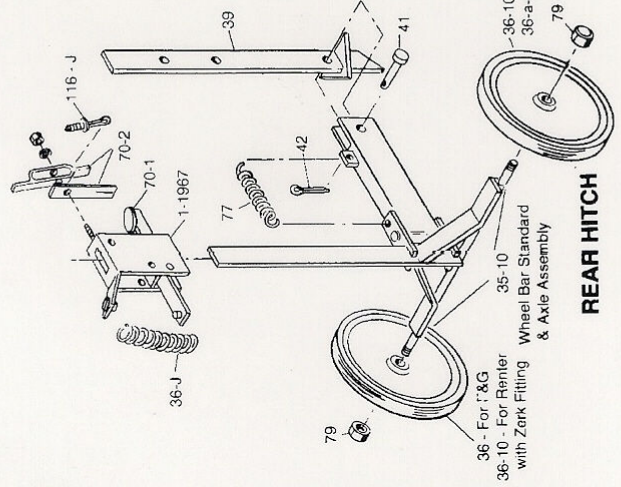
TILLER HOOD ASSEMBLY



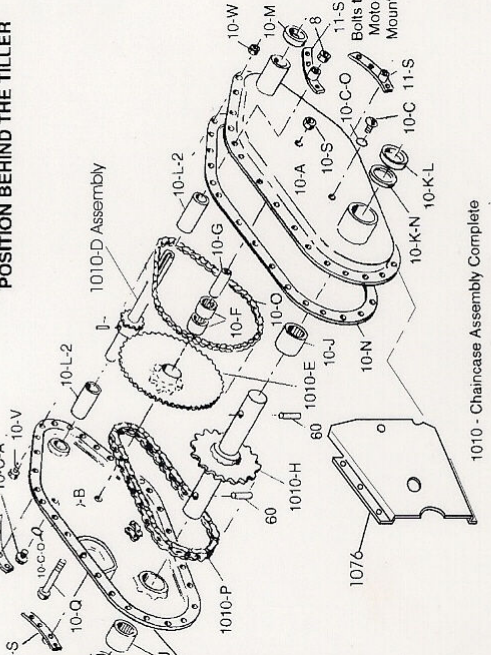
50 - Without Tines
45 - With Tines
1101 - F&G Scythe Tines
with Divisible Hubs
Complete Set

1104 - Renter Tines
& Hubs Complete Set

TINES AND HUBS



REAR HITCH



CHAINCASE